

## FM WIDE MODIFICATION KIT FOR THE FRG-8800

This kit enables the wideband (broadcast) FM mode in the FRG-8800. This mode is required for reception of FM broadcast signals which transmit within the frequency range of the receiver (118 to 174 MHz when the FRV-8800 is installed). In most countries this kit is not required, since FM broadcasting is outside of the receiver frequency range.

Parts contained in kit no. D3000378:

FM Unit C02680A and three Locking Spacers S3000041

- (1) Remove the AC power cord plug from the AC jack, and remove a backup battery from the battery compartment in the rear panel. Remove the FRV-8800 Converter, if installed.

Referring to Figure 1, remove the two screws affixing the carrying handle on the right side of the case, and remove the handle. Remove the two screws from the left side, and two screws from the bottom of the case, and remove the bottom cover.

- (2) Locate the place to mount the FM board, on the Main Unit on the underside of the chassis (Figure 2). Now referring to Figure 3, install the three locking spacers in the mounting holes on the Main Unit. Align white connector P9001 on the FM Unit with J1009 on the Main Unit, and press the connectors together. The locking spacers must pass through the holes in the FM Unit as it is pressed into place until locked.
- (3) Installation is now complete. Replace the bottom cover and carrying handle, and the screws removed in step (1). Reinstall the FRV-8800, and replace the backup battery and cover, and the AC power cord.

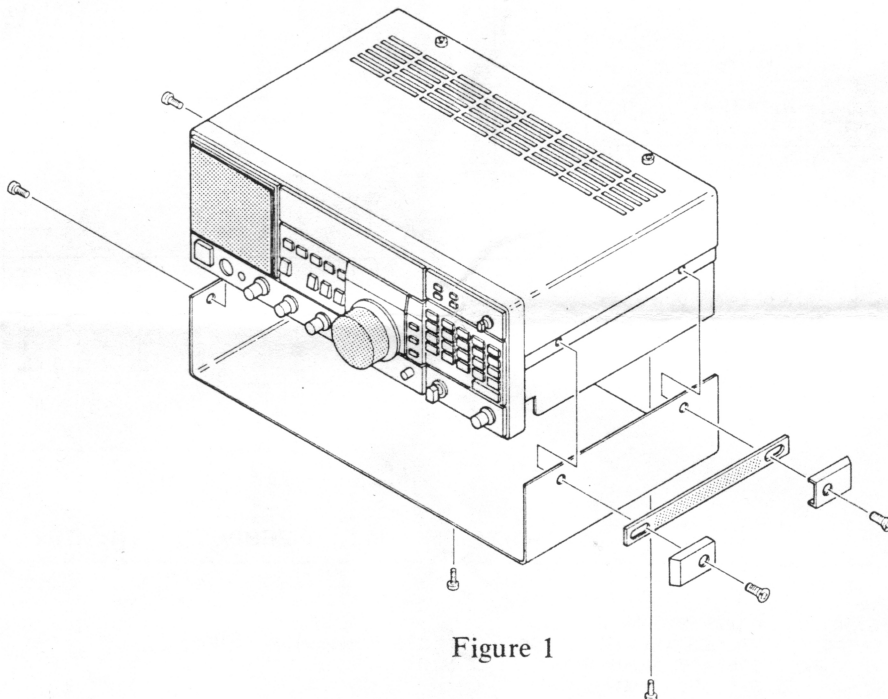
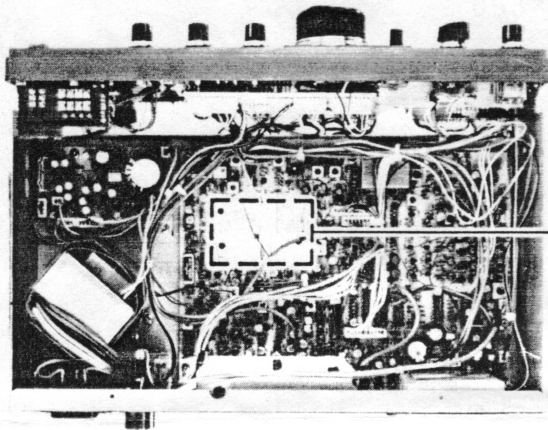


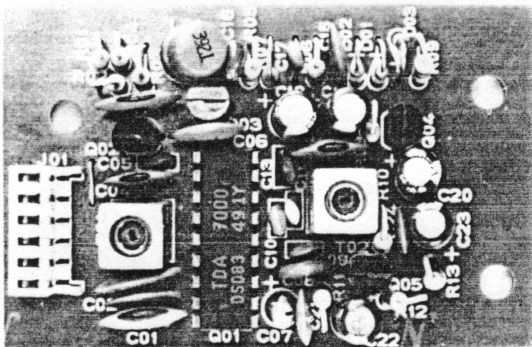
Figure 1



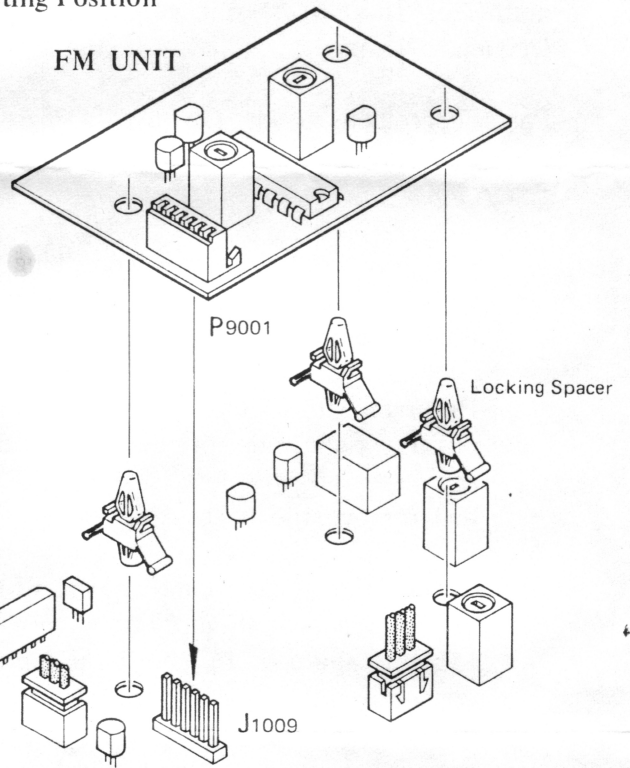
FM UNIT  
Mounting Position

Bottom side

Figure 2

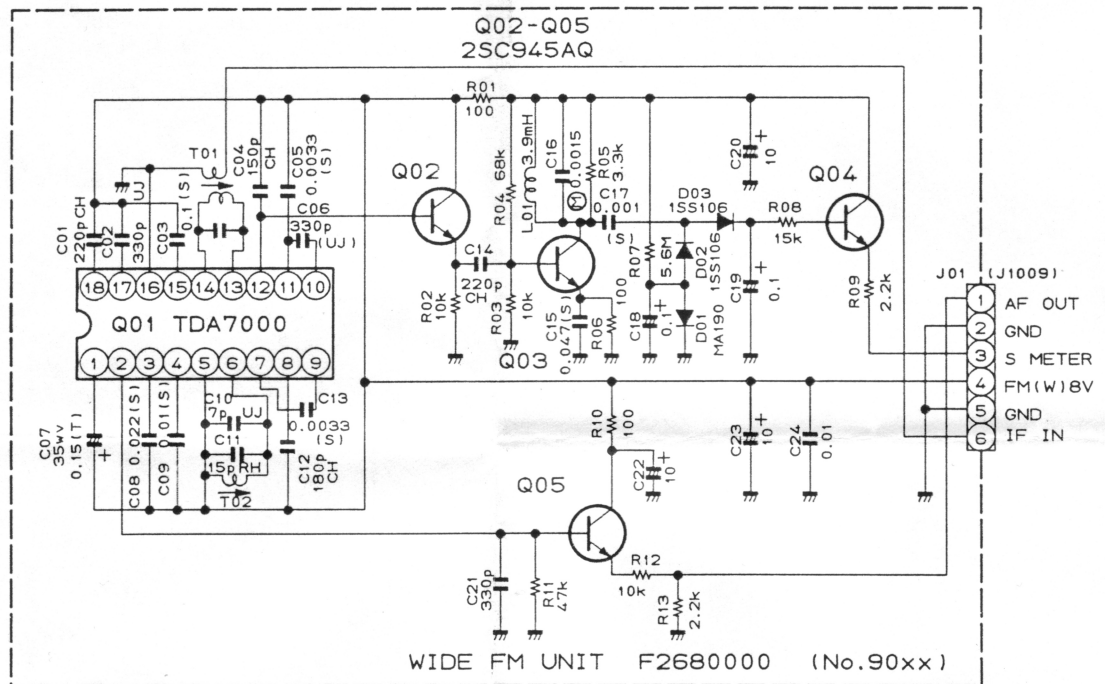


FM UNIT



MAIN UNIT

Figure 3



NOTE

RESISTOR VALUES ARE IN  $\Omega$ , 1/4W:  
CAPACITOR VALUES ARE IN  $\mu$ F, 50WV: UNLESS OTHERWISE NOTED.  
(S) CAPACITORS ARE SEMICONDUCTOR CERAMIC.  
(T) CAPACITORS ARE TANTALUM TYPE.